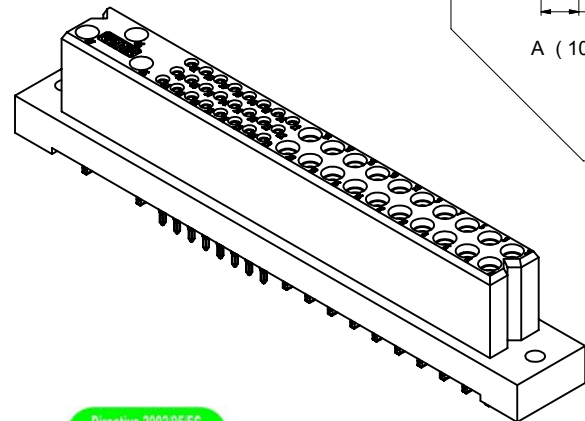


A (10 : 1) PCB hole pattern B (10 : 1)

NOTES:

1. MATERIALS AND FINISHES:
 - INSULATOR: GLASS FILLED PLASTIC UL 94 V-0 RATED, GREY RAL 7035
 - CONTACTS: COPPER ALLOY, PLATING: FLASH GOLD OVER NICKEL
2. ELECTRICAL CHARACTERISTICS:
 - CREEPING AND CLEARANCE DISTANCE; MINIMUM:
 - CONTACT 47 TO CONTACT 46: 2,5 MM
 - CONTACT 47 TO CONTACT 45: 3,2 MM
 - CONTACT 46 TO CONTACT 45: 3,2 MM
 - CONTACT 47 TO SIGNAL CONTACTS: 6,4 MM
 - CONTACT 46 TO SIGNAL CONTACTS: 6,4 MM
 - CONTACT 45 TO SIGNAL CONTACTS: 2,0 MM
 - CONTACT CURRENT RATING:
 - POWER CONTACTS POS. 45-47: 40 AMPERES CONTINUOUS, ALL CONTACTS UNDER LOAD
 - POWER CONTACTS POS. 1-20: 28 AMPERES CONTINUOUS, ALL CONTACTS UNDER LOAD
 - SIGNAL CONTACTS: 3 AMPERES NOMINAL
 - INITIAL CONTACT RESISTANCE PER IEC 512-2, TEST 2b:
 - POWER CONTACTS: 0,0007 OHM MAX.
 - SIGNAL CONTACTS: 0,004 OHM MAX.
 - INSULATION RESISTANCE: 5 G OHM PER IEC 512-2, TEST 3a
 - VOLTAGE PROOF:
 - CONTACTS POS. 46, 46, 47: 3 kV r.m.s.
 - CONTACTS POS. 1-20: 1,5 kV r.m.s.
 - CONTACTS POS. 21-44: 1 kV r.m.s.
3. WORKING TEMPERATURE: -55°C TO +125°C
4. PRESS-FIT PART OF CONTACTS ARE PATENT PROTECTED
5. CONNECTOR IS PART MARKED: [PART-NO. CONEC ABC]



24	Signal contact (Pos. 21-44)	5	
20	Power contact type 3 (Pos. 1-20)	4	
1	Power contact type 2 (Pos. 45)	3	
2	Power contact type 1 (Pos. 46-47)	2	
1	Case 47pos. female	1	
quantity	part description	item	dwg no. / norm material

THIS DRAWING MAY NOT BE COPIED OR REPRODUCED IN ANY WAY, AND MAY NOT BE PASSED ON TO A THIRD PARTY WITHOUT THE WRITTEN PERMISSION AND COPYRIGHT OF CONEC GmbH	finish:	tolerance	scale:
	see notes	ISO 2768-m	material: see notes
		date	name
		dim. in mm	
	drawn	10.02.05	Mankopf
	appd.	10.02.05	Kühle
	norm		
	d-old		
1x c	Ä 2207	18.04.05	Mkf.
1x b	Ä 2168	21.02.05	Mkf.
rev.	description	date	name



SOCKET CONNECTOR 47pos.
 PRESS-FIT STRAIGHT
 CompactPCI

dwg no: [Inventor] DIN-A2
 45K1A006 sh: 1
 part no: CPH47W23FGE3SK9X